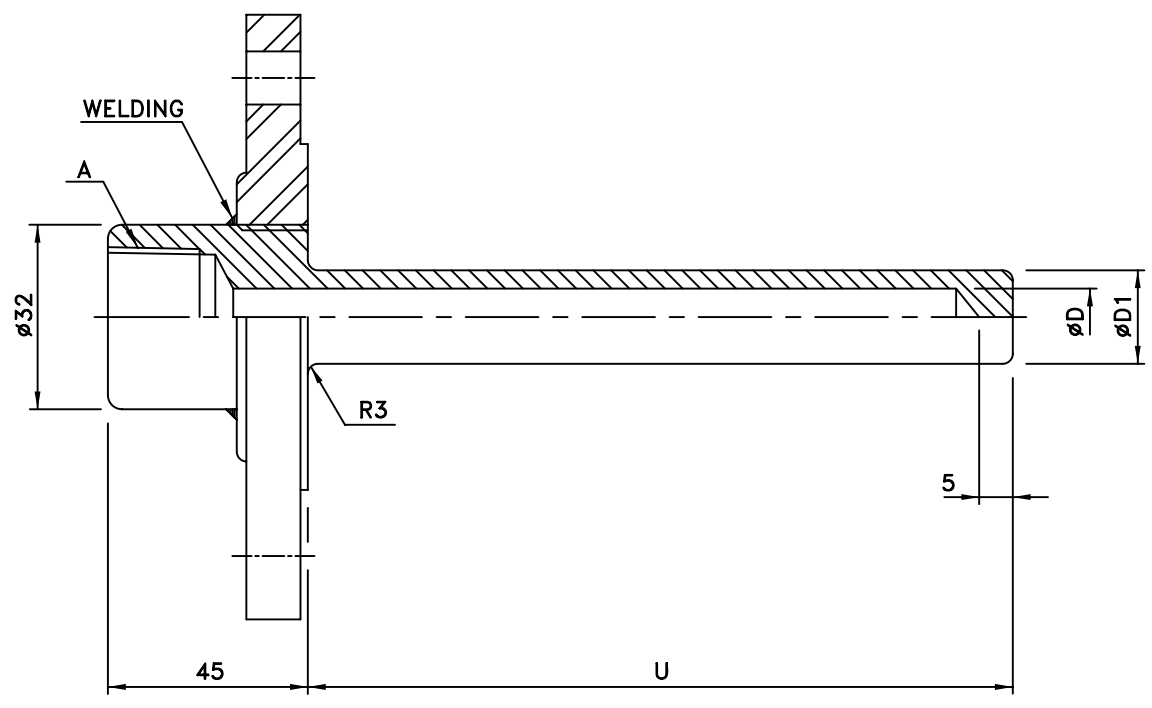


<input type="checkbox"/> THERMOWELL	MODEL DF-31
-------------------------------------	----------------

GENERAL SPECIFICATION

1. TYPE : FLANGE END DRILLED BAR STOCK STRAIGHT
2. MATERIAL : SUS304 SUS316 OTHER _____
3. SENSOR OUT DIA : _____ ϕ
4. FLANGE RATING : _____



DIMENSION CHECK

- A : PT 1/2 PT 3/4 PT 1 OTHER _____
- ϕD : OTHER _____
- $\phi D1$: OTHER _____
- U : OTHER _____

5					CUSTOMER 	Design		Scale	N.S
4						Checked		Wt Est - kg	
3						Approved		Date	
2						TITLE			
1						MODEL			
Item	Part Name	Material	Q'ty	Remark					