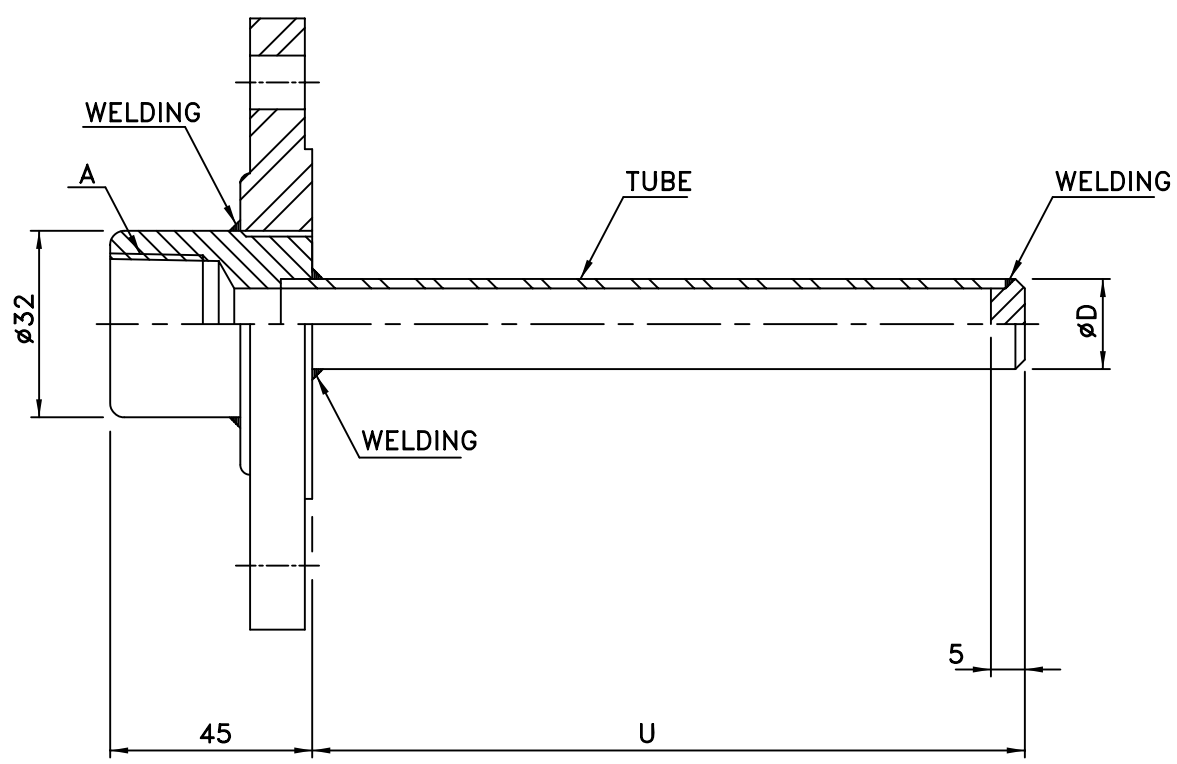


<input type="checkbox"/> THERMOWELL	MODEL PF-11
-------------------------------------	----------------

GENERAL SPECIFICATION

- 1. TYPE : FLANGE END CLOSED
- 2. MATERIAL : SUS304 SUS316 OTHER _____
- 3. SENSOR OUT DIA : _____
- 4. FLANGE RATING : _____



DIMENSION CHECK

- A : PT 1/2 PT 3/4 PT 1 OTHER _____
- øD : OTHER _____
- U : OTHER _____

5					ThermoSensor SENTECH	Design	Scale	N.S
4				Checked		Wt Est - kg		
3				Approved		Date		
2				TITLE				
1				MODEL				
Item	Part Name	Material	Q'ty	Remark				