

METAL SHEATHED THERMOCOUPLES

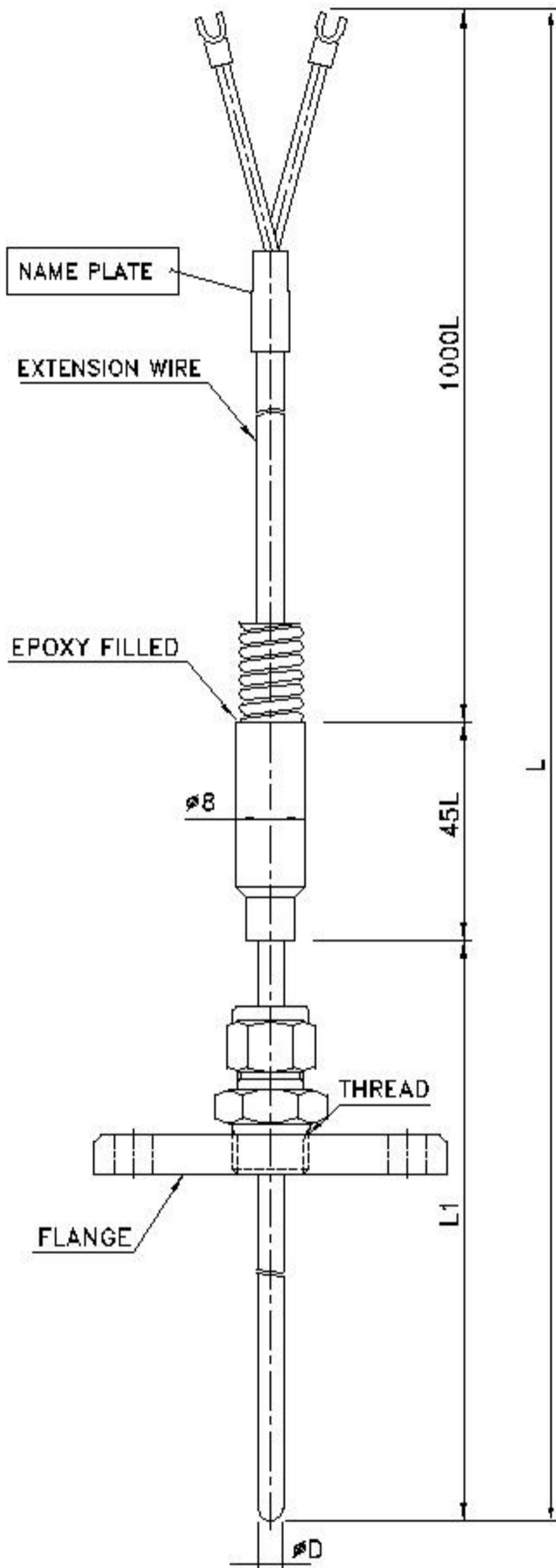
MODEL
ST-111C-15FP

***GENERAL SPECIFICATION**

- PROBE TYPE METAL SHEATHED TYPE
- TRANSITION SLEEVE WITH INSULATED LEAD WIRE
- MOUNTING TYPE COMPRESSION FITTING FLANGE

***ORDER SPECIFICATION**

- ELEMENT
 - ① CALIBRATION
 - 1. N 2. K 3. E
 - 4. J 5. T
 - ② GRADE
 - 1. CLASS 1 2. CLASS 2
 - 3. CLASS 3 4. OTHER []
 - ③ NUMBER OF ELEMENT WIRE
 - 1. 2-WIRE [SINGLE] 2. 4-WIRE [DUAL]
 - ④ TYPE OF HOT JUNCTION
 - 1. GROUNDED TYPE 2. UNGROUNDED TYPE
 - 3. EXPOSED TYPE
- SHEATHED TUBE
 - ⑤ MATERIAL
 - 1. SUS316 2. SUS310 3. SUPPER ALLOY
 - 4. INC600 5. OTHER []
 - ⑥ OUT DIA (φD)
 - 1. 0.25 2. 0.5 3. 1.0 4. 1.6
 - 5. 2.3 6. 3.2 7. 4.8 8. 6.4
 - 9. 8.0 10. OTHER []
 - ⑦ DIA METER OF ELEMENT
 - 1. 0.10 2. 0.17 3. 0.27 4. 0.51
 - 5. 0.76 6. 1.00 7. 1.30 8. OTHER []
 - ⑧ LENGTH (L)
 - 41,045 mm
 - ⑨ INSTER LENGTH (L1)
 - 40,000 mm
- EXTENSION WIRE
- ⑩ INSULATION
 - 1. SHIELD 2. PVC
 - 3. GLASS 4. OTHER []
- ⑪ COVERD MATERIAL
 - 1. NONE 2. FLEXIBLE TUBE 3. OTHER []
- MOUNTING
- ⑫ THREAD SIZE
 - 1. PT1/2 2. PT3/4
 - 3. PF1/2 4. PF3/4 5. OTHER []
- ⑬ FLANGE SIZE
 - JIS 10K15A FF
- ⑭ FLANGE MATERIAL
 - 1. SUS304 2. SUS316 3. OTHER []
- SPECIAL REQUIREMENT



5					CUSTOMER POSCO 	Design		Scale	N.S
4						Checked		Wt Est	Kg
3						Approved		Date	2010. 12. 27
2						TITLE			
1						MODEL			
Item	Part Name	Material	Q'ty	Remark					ST-111C-15FP