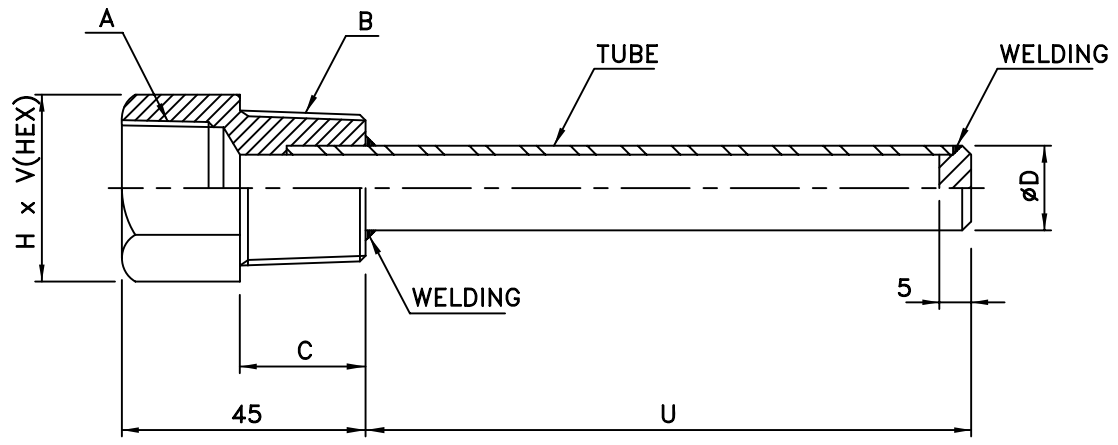


<input type="checkbox"/> THERMOWELL	MODEL PS-11
-------------------------------------	----------------

GENERAL SPECIFICATION

1. TYPE : SCREWED END CLOSED
2. MATERIAL : SUS304 SUS316 OTHER _____
3. SENSOR OUT DIA : _____ ϕ



DIMENSION CHECK

- A : PT 1/2 PT 3/4 PT 1 OTHER _____
- B : PT 1/2 PT 3/4 PT 1 OTHER _____
- C : 18 20 22 OTHER _____
- H x V : 27x31.2 32x37 36x41.6 OTHER _____
- ϕD : OTHER _____
- U : OTHER _____

5					CUSTOMER	Design	Scale	N.S
4						Checked	Wt Est Act - Kg	
3						Approved	Date	
2						TITLE		
1						MODEL		
Item	Part Name	Material	Q'ty	Remark				

