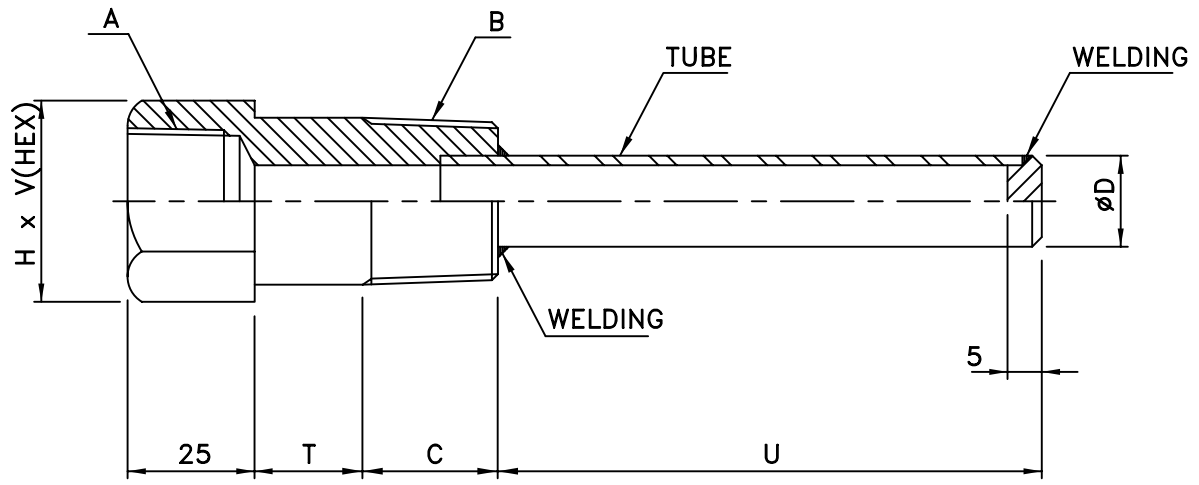


<input type="checkbox"/> THERMOWELL	MODEL PS-13
-------------------------------------	----------------

GENERAL SPECIFICATION

1. TYPE : SCREWED END CLOSED
2. MATERIAL :  SUS304  SUS316  OTHER \_\_\_\_\_
3. SENSOR OUT DIA : \_\_\_\_\_  $\phi$



DIMENSION CHECK

- A :  PT 1/2  PT 3/4  PT 1  OTHER \_\_\_\_\_
- B :  PT 1/2  PT 3/4  PT 1  OTHER \_\_\_\_\_
- C :  18  20  22  OTHER \_\_\_\_\_
- H x V :  27x31.2  32x37  36x41.6  OTHER \_\_\_\_\_
- $\phi D$  :  OTHER \_\_\_\_\_
- T :  OTHER \_\_\_\_\_
- U :  OTHER \_\_\_\_\_

5					CUSTOMER	Design	Scale	N.S
4						Checked	Wt Est - kg	<input type="checkbox"/>
3				Approved		Date		
2				TITLE				
1				MODEL				
Item	Part Name	Material	Q'ty	Remark				