

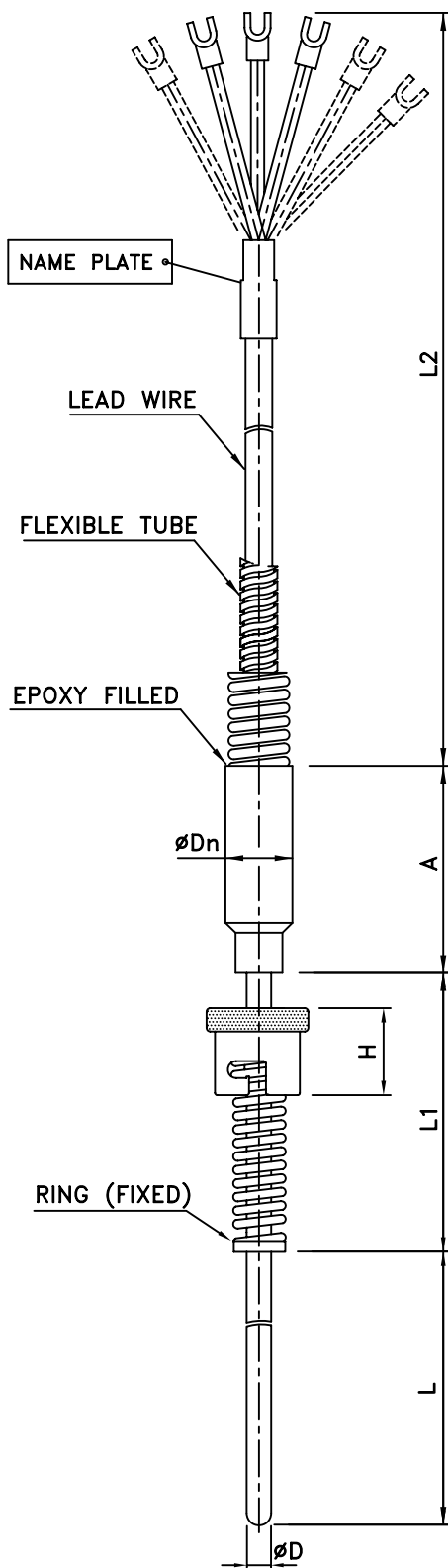
METAL SHEATHED RESISTANCE BULBS MODEL SR-111S

**\*GENERAL SPECIFICATION**

- PROBE TYPE METAL SHEATHED TYPE
- TRANSITION SLEEVE WITH TEFLON INSULATED LEAD WIRE
- MOUNTING TYPE BAYONET CAP

**\*ORDER SPECIFICATION**

- ELEMENT
- CALIBRATION
  - 1. Pt 100 SINGLE  2. Pt 100 DUAL
  - 3. KPt 100 SINGLE  4. KPt 100 DUAL
  - 5. OTHER [            ]
- GRADE
  - 1. KS-B CLASS  2. KS-A CLASS
  - 3. OTHER [            ]
- SHEATHED TUBE
- MATERIAL
  - 1. SUS316  2. SUS310  3. OTHER [            ]
- OUT DIA (øD)
  - 1. 2.3  2. 3.2  3. 4.8
  - 4. 6.4  5. 8.0  6. OTHER [            ]
- LENGTH (L)
  - \_\_\_\_\_ mm
- LENGTH (L1)
  - \_\_\_\_\_ mm
- SLEEVE
- OUT DIA (øDn)
  - \_\_\_\_\_
- LENGTH (A)
  - \_\_\_\_\_ mm
- LEAD WIRE
- NUMBER OF LEAD WIRE
  - 1. 2 WIRE  2. 3 WIRE
  - 3. 4 WIRE  4. 6 WIRE
- COVERD MATERIAL
  - 1. NONE  2. METAL SHIELD  3. FLEXIBLE TUBE
- LENGTH (L2)
  - \_\_\_\_\_ mm
- MOUNTING
- BAYONET CAP DIA.
  - \_\_\_\_\_ ø
- BAYONET CAP LENGTH (H)
  - \_\_\_\_\_ mm
- SPECIAL REQUIREMENT



5					CUSTOMER	Design	Scale	N.S
4						Checked	Wt Est - Kg	
3				Approved		Date		
2				TITLE				
1				MODEL				
Item	Part Name	Material	Q'ty	Remark				