

METAL SHEATHED RESISTANCE BULBS      MODEL SR-710C

**\*GENERAL SPECIFICATION**

- PROBE TYPE      METAL SHEATHED TYPE
- TERMINAL HEAD      WEATHER PROOF TYPE
- MATERIAL      ALUMINUM ALLOY
- SURFACE COLOR      METALLIC SILVER
- TERMINAL BLOCK      CERAMIC MATERIAL
- MOUNTING TYPE      COMPRESSION FITTING

**\*ORDER SPECIFICATION**

■ ELEMENT

① CALIBRATION

- 1. Pt 100 SINGLE       2. Pt 100 DUAL
- 3. KPt 100 SINGLE       4. KPt 100 DUAL
- 5. OTHER [      ]

② GRADE

- 1. KS-B CLASS       2. KS-A CLASS
- 3. OTHER [      ]

■ SHEATHED TUBE

③ MATERIAL

- 1. SUS316       2. SUS310       3. OTHER [      ]

④ OUT DIA (φD)

- 1. 2.3       2. 3.2       3. 4.8
- 4. 6.4       5. 8.0       6. OTHER [      ]

⑤ LENGTH (L)

- \_\_\_\_\_ mm

■ LEAD WIRE

⑥ NUMBER OF LEAD WIRE

- 1. 2 WIRE       2. 3 WIRE
- 3. 4 WIRE       4. 6 WIRE

■ MOUNTING

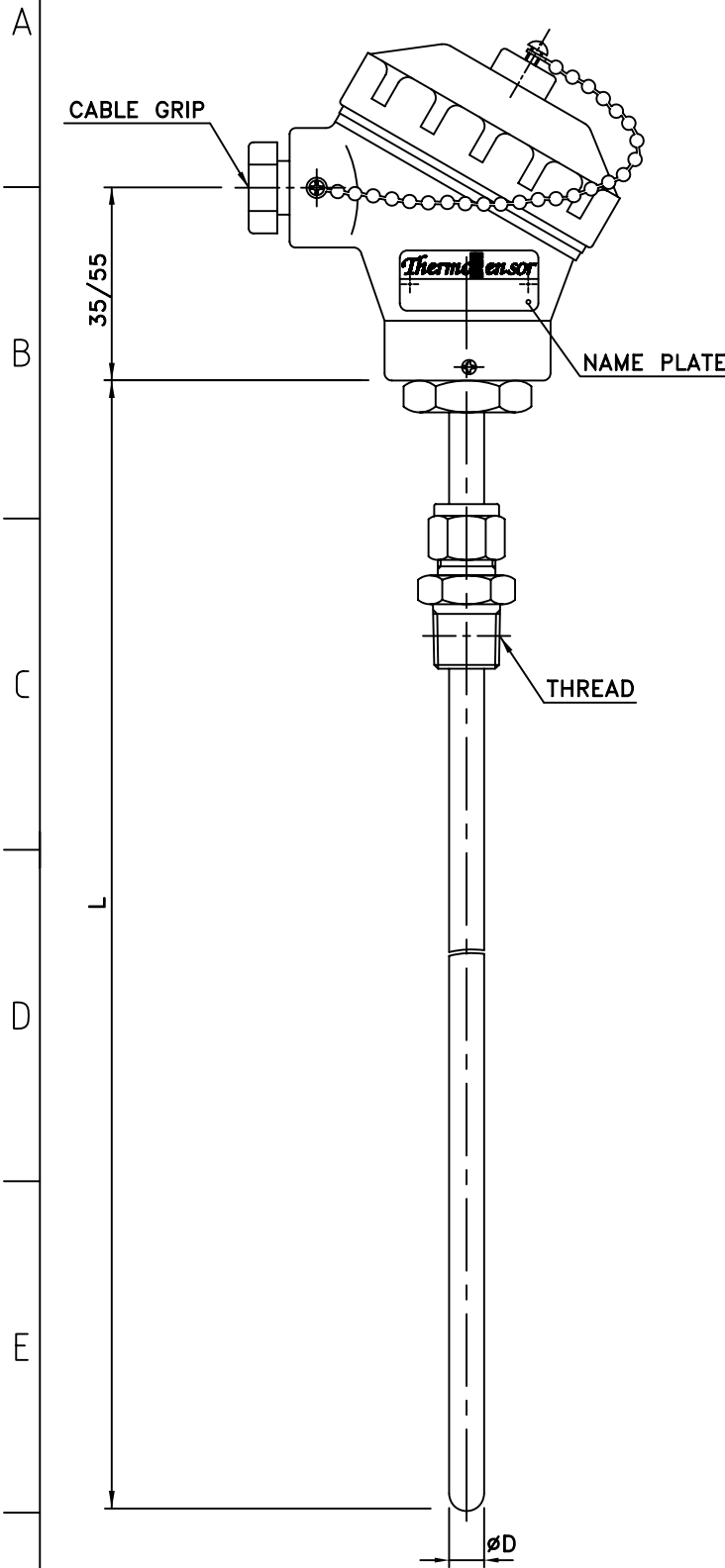
⑦ THREAD SIZE

- 1. PT 1/2       2. PT 3/4       3. PF 1/2
- 4. PF 3/4       5. OTHER [      ]

⑧ COMPRESSION FITTING MATERIAL

- 1. SUS304       2. SUS316       3. OTHER [      ]

■ SPECIAL REQUIREMENT



5					CUSTOMER	Design	Scale	N.S
4						Checked	Wt Est - Kg	
3						Approved	Date	
2						TITLE		
1						MODEL		
Item	Part Name	Material	Q'ty	Remark				

