

METAL SHEATHED RESISTANCE BULBS MODEL SR-715

***GENERAL SPECIFICATION**

- PROBE TYPE METAL SHEATHED TYPE
- TERMINAL HEAD WEATHER PROOF TYPE
- MATERIAL ALUMINUM ALLOY
- SURFACE COLOR METALLIC SILVER
- TERMINAL BLOCK CERAMIC MATERIAL
- MOUNTING TYPE NIPPLE & FIXED SCREW

***ORDER SPECIFICATION**

■ ELEMENT

① CALIBRATION

- 1.Pt 100 SINGLE 2.Pt 100 DUAL
- 3.KPt 100 SINGLE 4.KPt 100 DUAL
- 5. OTHER []

② GRADE

- 1. KS-B CLASS 2. KS-A CLASS
- 3. OTHER []

■ SHEATHED TUBE

③ MATERIAL

- 1.SUS316 2.SUS310 3. OTHER []

④ OUT DIA (φD)

- 1. 2.3 2. 3.2 3. 4.8
- 4. 6.4 5. 8.0 6. OTHER []

⑤ LENGTH (L)

- _____ mm

■ LEAD WIRE

⑥ NUMBER OF LEAD WIRE

- 1. 2 WIRE 2. 3 WIRE
- 3. 4 WIRE 4. 6 WIRE

■ MOUNTING

⑦ THREAD SIZE

- 1. PT 1/2 2. PT 3/4 3. PF 1/2
- 4. PF 3/4 5. OTHER []

⑧ THREAD MATERIAL

- 1. SUS304 2. SUS316 3. OTHER []

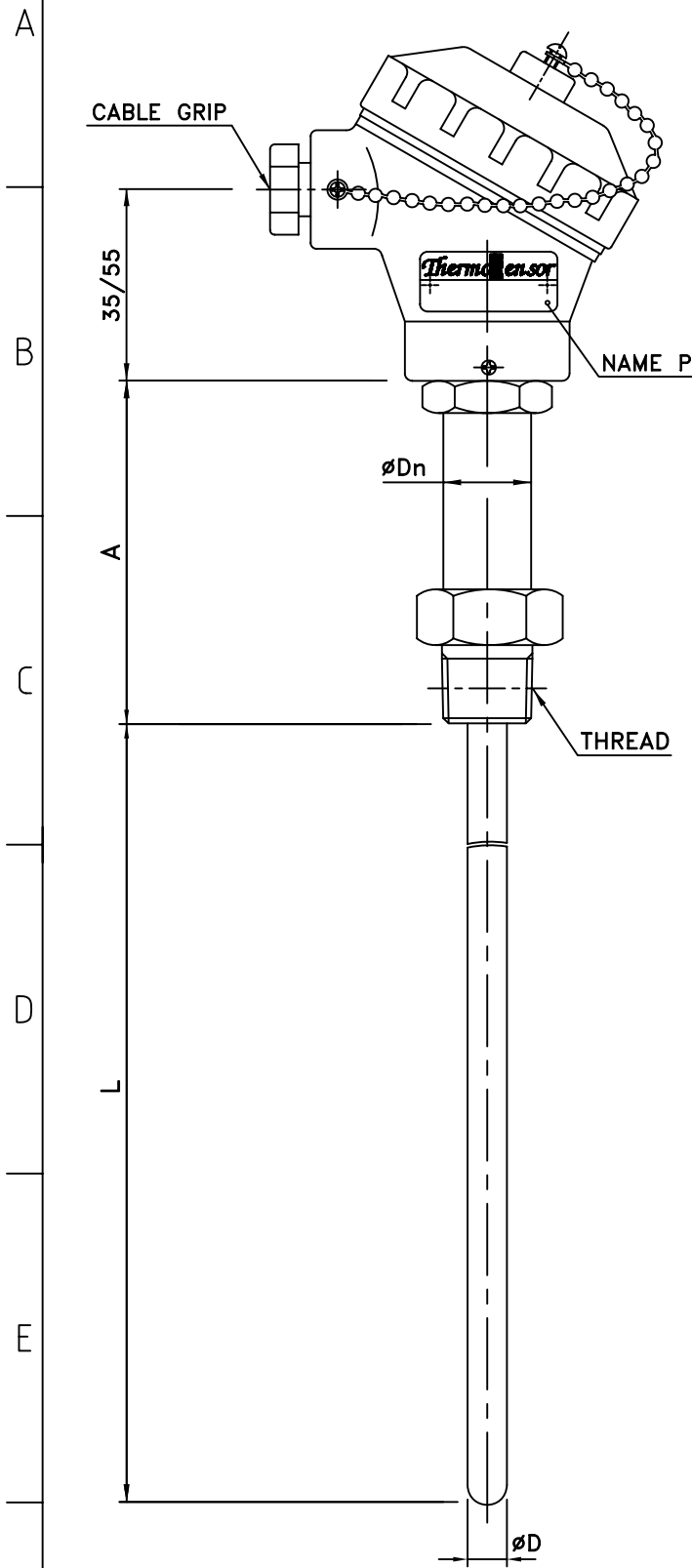
⑨ NIPPLE OUT DIA (φDn)

- 1. 15 2. 17 3. 22 4. OTHER []

⑩ NIPPLE LENGTH (A)mm

- 1. 80 2. 150 3. OTHER []

■ SPECIAL REQUIREMENT



5					CUSTOMER	Design	Scale	N.S
4						Checked	Wt Est - Kg	
3				Approved		Date		
2						TITLE		
1						MODEL		
Item	Part Name	Material	Q'ty	Remark				