

METAL SHEATHED RESISTANCE BULBS MODEL SR-717S

***GENERAL SPECIFICATION**

- PROBE TYPE METAL SHEATHED TYPE
- TERMINAL HEAD WEATHER PROOF TYPE
- MATERIAL ALUMINUM ALLOY
- SURFACE COLOR METALLIC SILVER
- TERMINAL BLOCK CERAMIC MATERIAL
- MOUNTING TYPE NIPPLE & UNION

***ORDER SPECIFICATION**

ELEMENT

① CALIBRATION

- 1. Pt 100 SINGLE 2. Pt 100 DUAL
- 3. KPt 100 SINGLE 4. KPt 100 DUAL
- 5. OTHER []

② GRADE

- 1. KS-B CLASS 2. KS-A CLASS
- 3. OTHER []

SHEATHED TUBE

③ MATERIAL

- 1. SUS316 2. SUS310 3. OTHER []

④ OUT DIA (φD)

- 1. 2.3 2. 3.2 3. 4.8
- 4. 6.4 5. 8.0 6. OTHER []

⑤ LENGTH (L)

- _____ mm

LEAD WIRE

⑥ NUMBER OF LEAD WIRE

- 1. 2 WIRE 2. 3 WIRE
- 3. 4 WIRE 4. 6 WIRE

MOUNTING

⑦ THREAD SIZE

- 1. PT 1/2 2. PT 3/4 3. PF 1/2
- 4. PF 3/4 5. OTHER []

⑧ NIPPLE MATERIAL

- 1. SUS304 2. SUS316 3. OTHER []

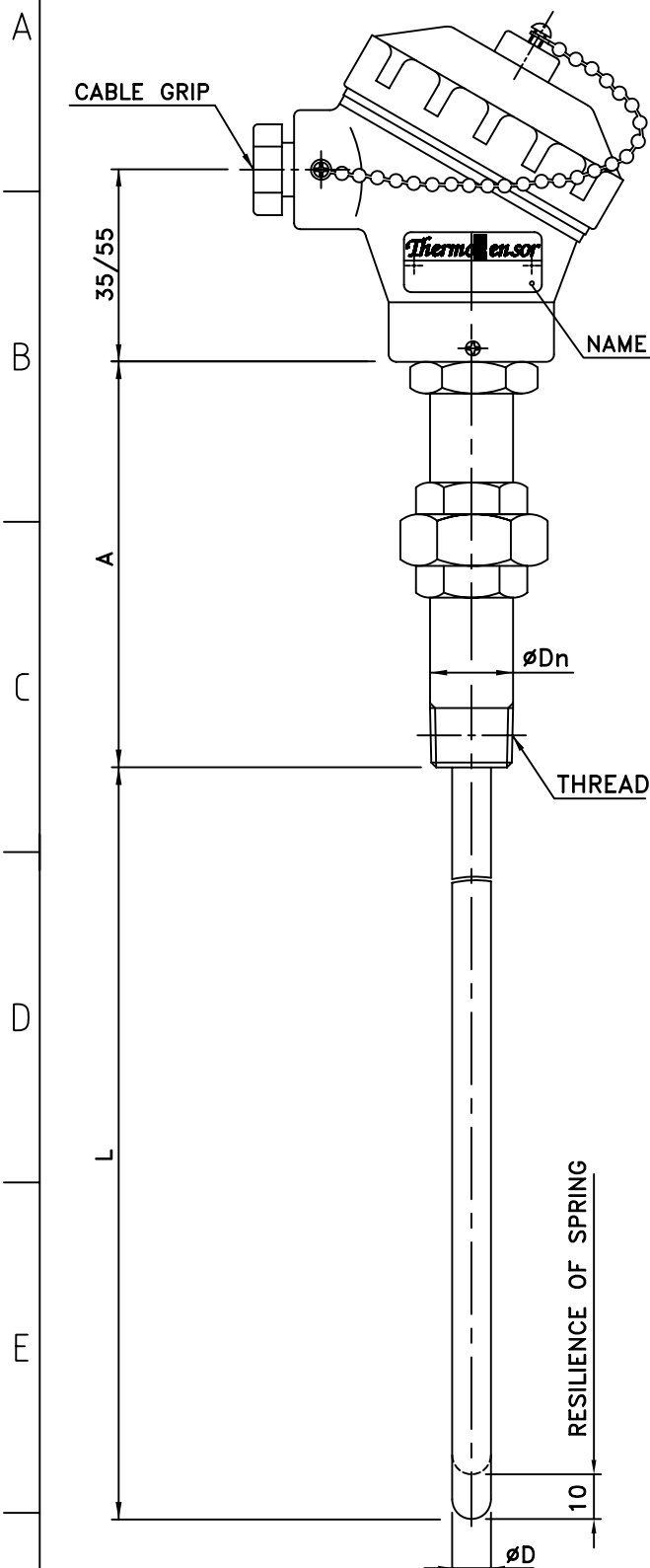
⑨ NIPPLE OUT DIA (φDn)

- 1. 15 2. 17 3. 22 4. OTHER []

⑩ NIPPLE LENGTH (A)mm

- 1. 100 2. 150 3. OTHER []

SPECIAL REQUIREMENT



5					CUSTOMER	Design	Scale	N.S
4						Checked	Wt Est - Kg	
3				Approved		Date		
2				TITLE				
1				MODEL				
Item	Part Name	Material	Q'ty	Remark				