

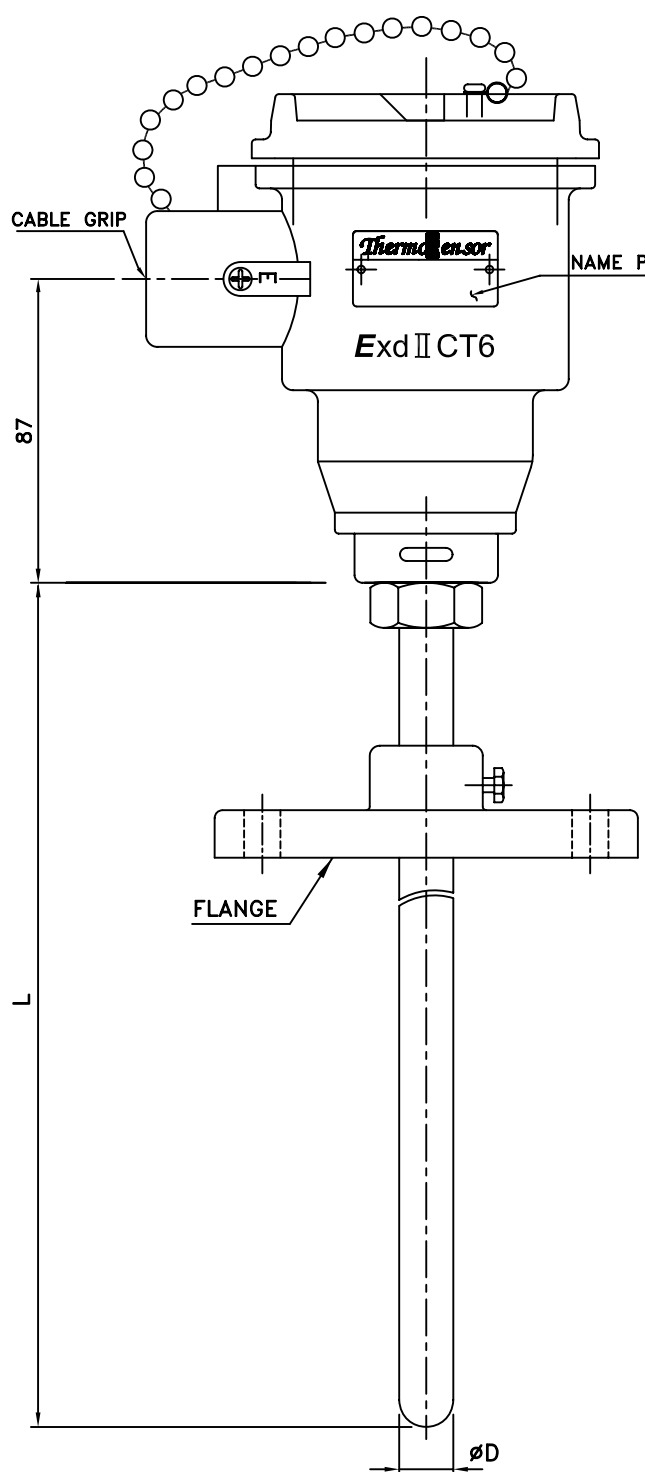
METAL SHEATHED RESISTANCE BULBS      MODEL SR-910F

**\*GENERAL SPECIFICATION**

- PROBE TYPE METAL SHEATHED TYPE
- TERMINAL HEAD EXPLOSION PROOF TYPE (ExdIICT6)
- MATERIAL ALUMINUM ALLOY
- SURFACE COLOR METALLIC SILVER
- TERMINAL BLOCK PHENOL RESIN
- MOUNTING TYPE ADJUSTABLE FLANGE

**\*ORDER SPECIFICATION**

- ELEMENT
- ① CALIBRATION**
  - 1. Pt 100 SINGLE       2. Pt 100 DUAL
  - 3. KPt 100 SINGLE       4. KPt 100 DUAL
  - 5. OTHER [                      ]
- ② GRADE**
  - 1. KS-B CLASS       2. KS-A CLASS
  - 3. OTHER [                      ]
- SHEATHED TUBE
- ③ MATERIAL**
  - 1. SUS316       2. SUS310       3. OTHER [                      ]
- ④ OUT DIA (øD)**
  - 1. 2.3       2. 3.2       3. 4.8
  - 4. 6.4       5. 8.0       6. OTHER [                      ]
- ⑤ LENGTH (L)**
  - \_\_\_\_\_ mm
- LEAD WIRE
- ⑥ NUMBER OF LEAD WIRE**
  - 1. 2 WIRE       2. 3 WIRE
  - 3. 4 WIRE       4. 6 WIRE
- MOUNTING
- ⑦ FLANGE SIZE**
  - \_\_\_\_\_
- ⑧ FLANGE MATERIAL**
  - 1. SUS304       2. SUS316       3. OTHER [                      ]
- SPECIAL REQUIREMENT



5					CUSTOMER	Design	Scale	N.S
4						Checked	Wt Est - kg	
3						Approved	Date	
2						TITLE		
1						MODEL		
Item	Part Name	Material	Q'ty	Remark				

