

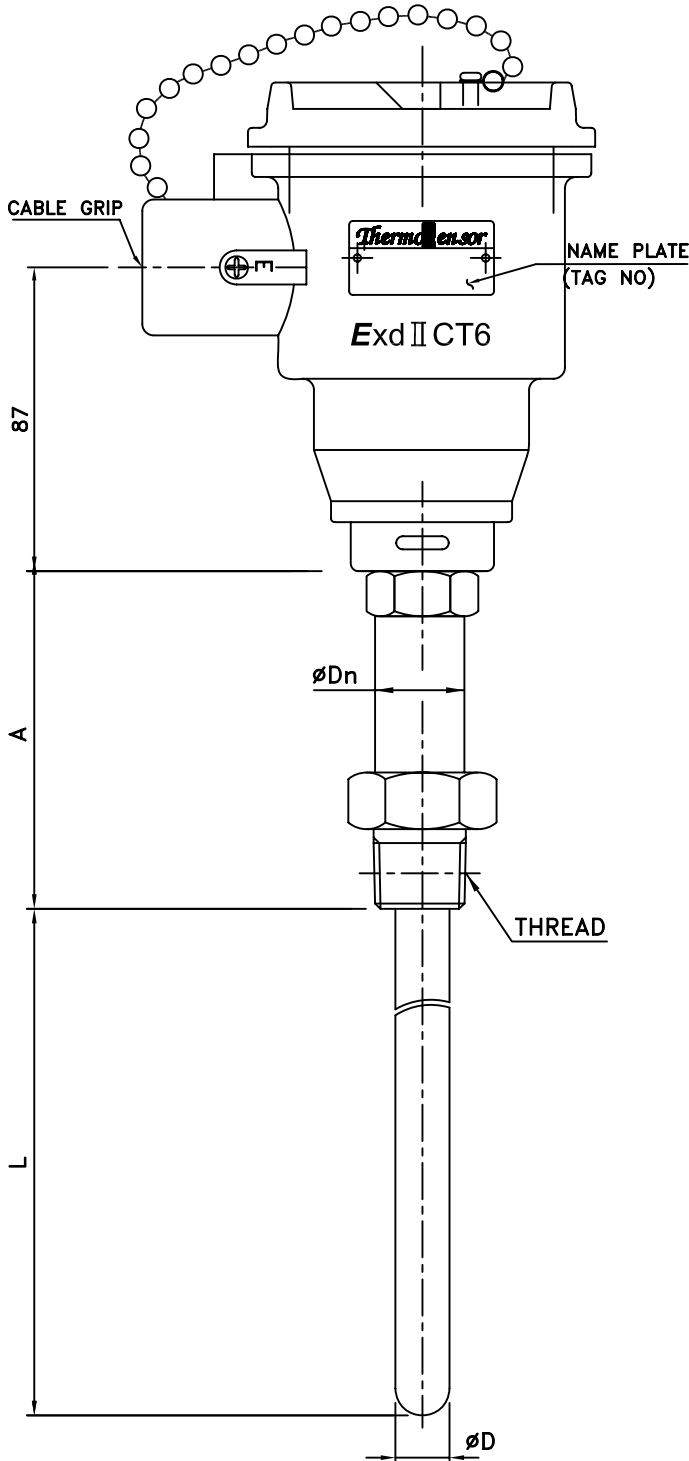
METAL SHEATHED RESISTANCE BULBS MODEL SR-915

***GENERAL SPECIFICATION**

- PROBE TYPE METAL SHEATHED TYPE
- TERMINAL HEAD EXPLOSION PROOF TYPE (ExdIICT6)
- MATERIAL ALUMINUM ALLOY
- SURFACE COLOR METALLIC SILVER
- TERMINAL BLOCK PHENOL RESIN
- MOUNTING TYPE NIPPLE & FIXED SCREW

***ORDER SPECIFICATION**

- ELEMENT
- ① CALIBRATION
 - 1.Pt 100 SINGLE 2.Pt 100 DUAL
 - 3.KPt 100 SINGLE 4.KPt 100 DUAL
 - 5. OTHER []
- ② GRADE
 - 1. KS-B CLASS 2. KS-A CLASS
 - 3. OTHER []
- SHEATHED TUBE
- ③ MATERIAL
 - 1.SUS316 2.SUS310 3. OTHER []
- ④ OUT DIA (∅D)
 - 1. 2.3 2. 3.2 3. 4.8
 - 4. 6.4 5. 8.0 6. OTHER []
- ⑤ LENGTH (L)
 - _____ mm
- LEAD WIRE
- ⑥ NUMBER OF LEAD WIRE
 - 1. 2 WIRE 2. 3 WIRE
 - 3. 4 WIRE 4. 6 WIRE
- MOUNTING
- ⑦ THREAD SIZE
 - 1. PT 1/2 2. PT 3/4 3. PF 1/2
 - 4. PF 3/4 5. OTHER []
- ⑧ THREAD MATERIAL
 - 1. SUS304 2. SUS316 3. OTHER []
- ⑨ NIPPLE OUT DIA (∅Dn)
 - 1. 15 2. 17 3. 22 4. OTHER []
- ⑩ NIPPLE LENGTH (A)mm
 - 1. 80 2. 100 3. OTHER []
- SPECIAL REQUIREMENT



5					CUSTOMER	Design	Scale	N.S
4						Checked	Wt Est - Kg	
3				Approved		Date		
2				TITLE				
1				MODEL				
Item	Part Name	Material	Q'ty	Remark				