

METAL SHEATHED RESISTANCE BULBS MODEL SR-916

**\*GENERAL SPECIFICATION**

- PROBE TYPE METAL SHEATHED TYPE
- TERMINAL HEAD EXPLOSION PROOF TYPE (ExdIICT6)
- MATERIAL ALUMINUM ALLOY
- SURFACE COLOR METALLIC SILVER
- TERMINAL BLOCK PHENOL RESIN
- MOUNTING TYPE NIPPLE & FIXED FLANGE

**\*ORDER SPECIFICATION**

ELEMENT

① CALIBRATION

- 1.Pt 100 SINGLE  2.Pt 100 DUAL
- 3.KPt 100 SINGLE  4.KPt 100 DUAL
- 5. OTHER [ ]

② GRADE

- 1. KS-B CLASS  2. KS-A CLASS
- 3. OTHER [ ]

SHEATHED TUBE

③ MATERIAL

- 1.SUS316  2.SUS310  3. OTHER [ ]

④ OUT DIA (φD)

- 1. 2.3  2. 3.2  3. 4.8
- 4. 6.4  5. 8.0  6. OTHER [ ]

⑤ LENGTH (L)

- \_\_\_\_\_ mm

LEAD WIRE

⑥ NUMBER OF LEAD WIRE

- 1. 2 WIRE  2. 3 WIRE
- 3. 4 WIRE  4. 6 WIRE

MOUNTING

⑦ FLANGE SIZE

- \_\_\_\_\_

⑧ FLANGE MATERIAL

- 1. SUS304  2. SUS316  3. OTHER [ ]

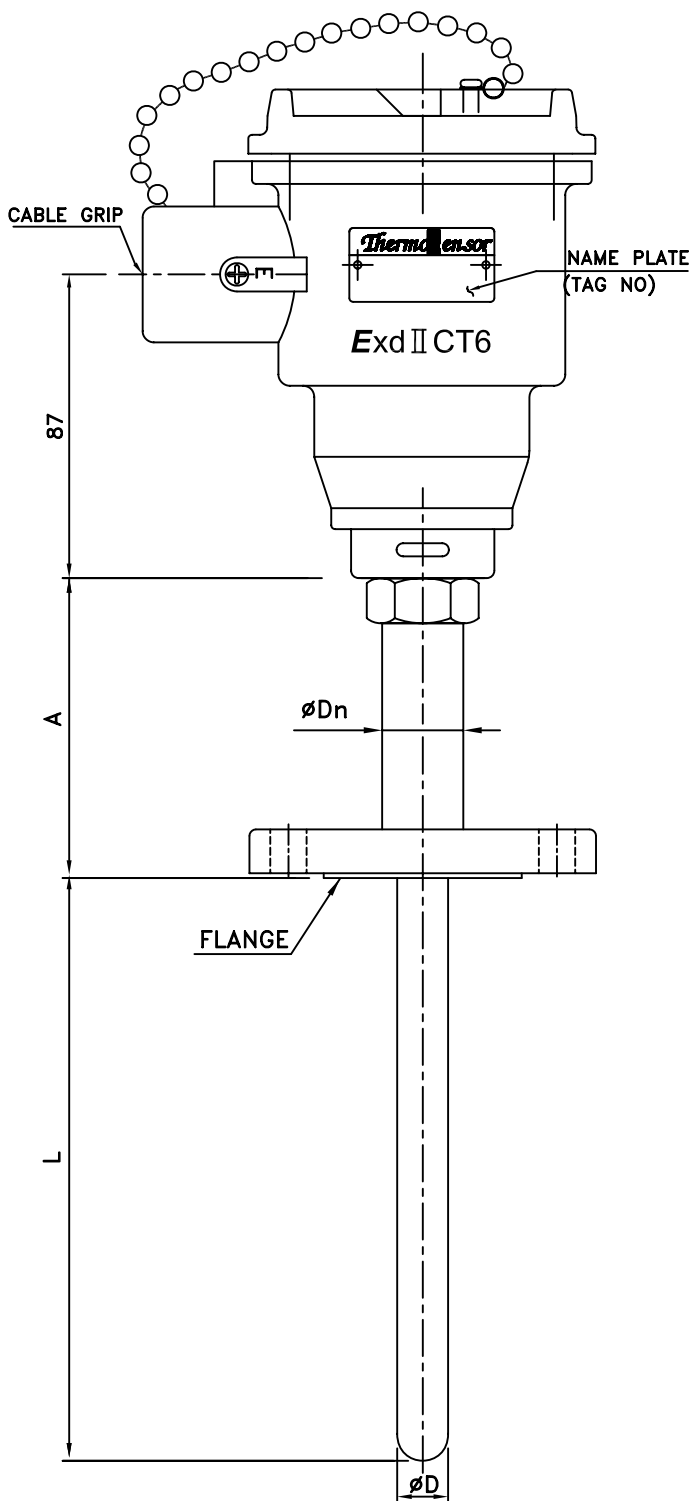
⑨ NIPPLE OUT DIA (φDn)

- 1. 15  2. 17  3. 22  4. OTHER [ ]

⑩ NIPPLE LENGTH (A)mm

- 1. 80  2. 100  3. OTHER [ ]

SPECIAL REQUIREMENT



5					CUSTOMER	Design	Scale	N.S
4						Checked	Wt Est - kg	
3				Approved		Date		
2				TITLE				
1				MODEL				
Item	Part Name	Material	Q'ty	Remark				