

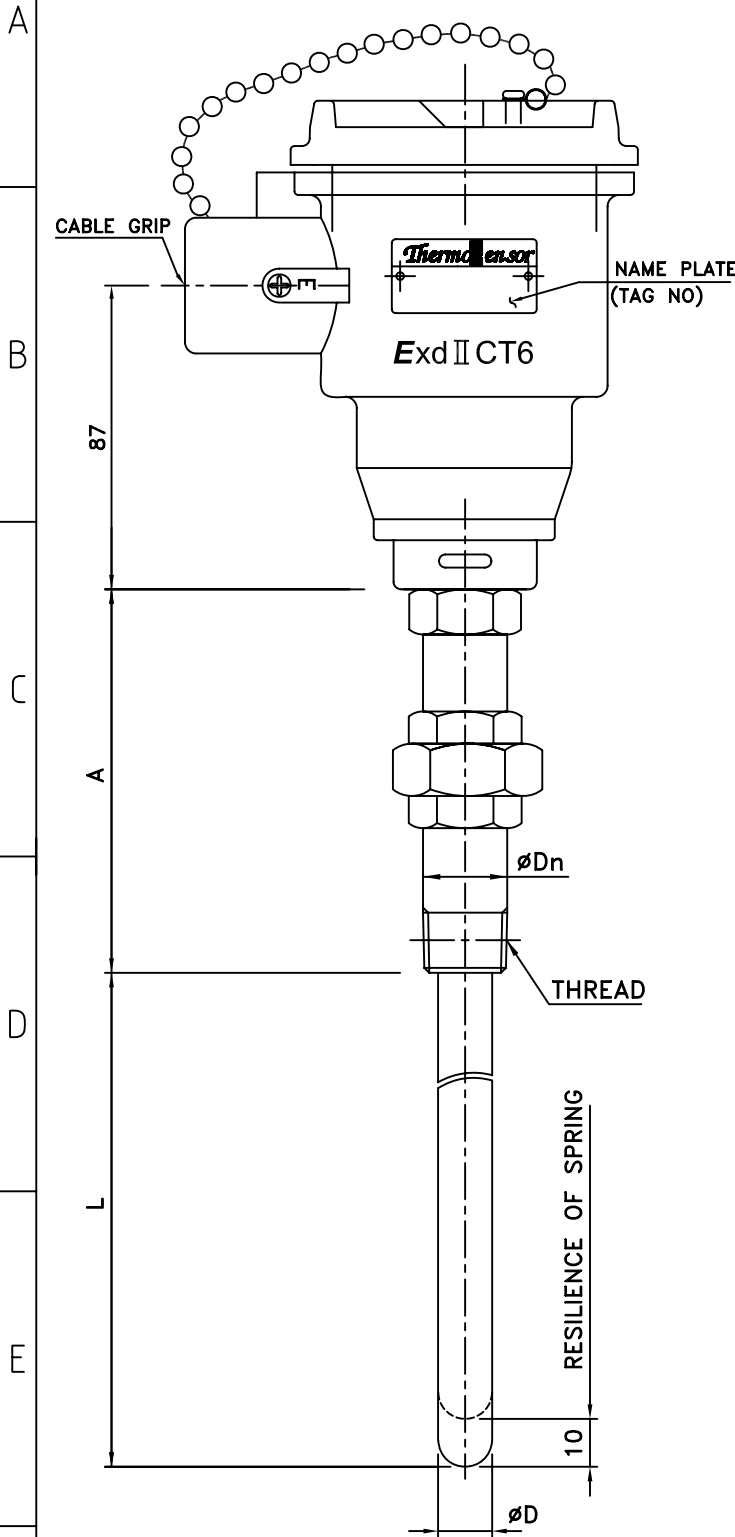
METAL SHEATHED RESISTANCE BULBS MODEL SR-917S

***GENERAL SPECIFICATION**

- PROBE TYPE METAL SHEATHED TYPE
- TERMINAL HEAD EXPLOSION PROOF TYPE (ExdIICT6)
- MATERIAL ALUMINUM ALLOY
- SURFACE COLOR METALLIC SILVER
- TERMINAL BLOCK PHENOL RESIN
- MOUNTING TYPE NIPPLE & UNION

***ORDER SPECIFICATION**

- ELEMENT
- CALIBRATION
 - 1. Pt 100 SINGLE 2. Pt 100 DUAL
 - 3. KPt 100 SINGLE 4. KPt 100 DUAL
 - 5. OTHER []
- GRADE
 - 1. KS-B CLASS 2. KS-A CLASS
 - 3. OTHER []
- SHEATHED TUBE
- MATERIAL
 - 1. SUS316 2. SUS310 3. OTHER []
- OUT DIA (φD)
 - 1. 2.3 2. 3.2 3. 4.8
 - 4. 6.4 5. 8.0 6. OTHER []
- LENGTH (L)
 - _____ mm
- LEAD WIRE
- NUMBER OF LEAD WIRE
 - 1. 2 WIRE 2. 3 WIRE
 - 3. 4 WIRE 4. 6 WIRE
- MOUNTING
- THREAD SIZE
 - 1. PT 1/2 2. PT 3/4 3. PF 1/2
 - 4. PF 3/4 5. OTHER []
- THREAD MATERIAL
 - 1. SUS304 2. SUS316 3. OTHER []
- NIPPLE OUT DIA (φDn)
 - 1. 15 2. 17 3. 22 4. OTHER []
- NIPPLE LENGTH (A)mm
 - 1. 100 2. 150 3. OTHER []
- SPECIAL REQUIREMENT



5					CUSTOMER	Design	Scale	N.S
4					 SENTECH	Checked	Wt Est - kg	
3				Approved		Date		
2				TITLE				
1				MODEL				
Item	Part Name	Material	Q'ty	Remark				