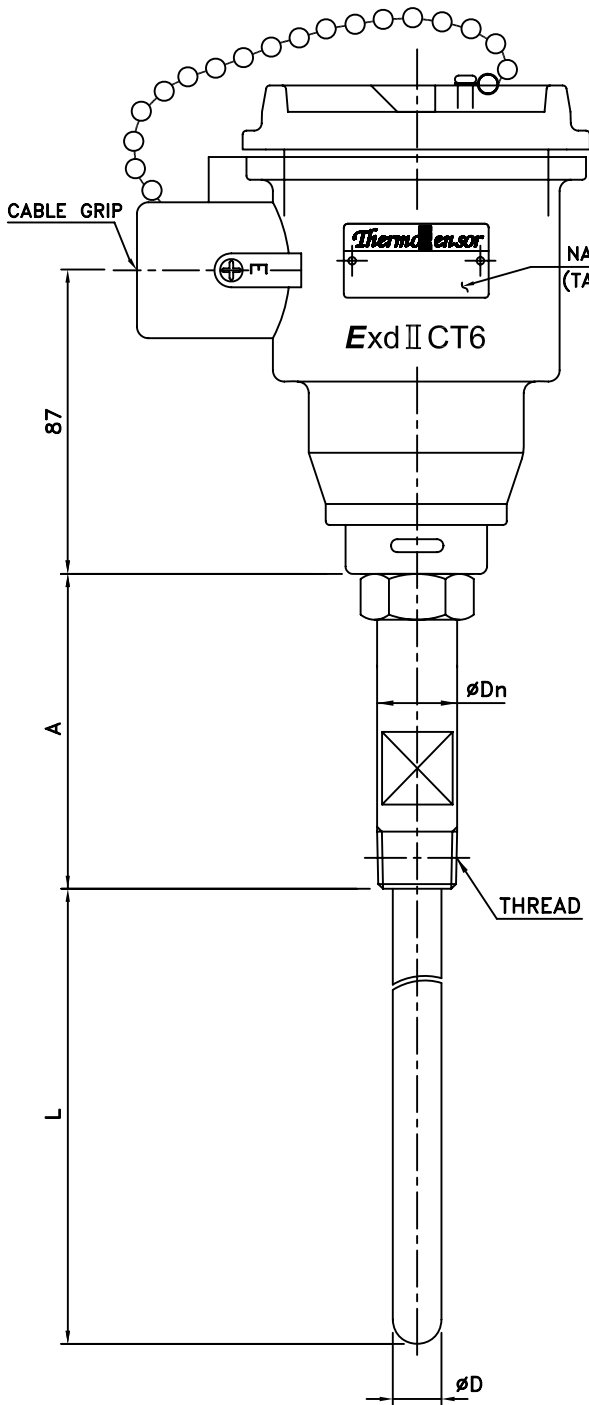


METAL SHEATHED THERMOCOUPLES MODEL ST-913

***GENERAL SPECIFICATION**

- PROBE TYPE METAL SHEATHED TYPE
- TERMINAL HEAD EXPLOSION PROOF TYPE (ExdIICT6)
- MATERIAL ALUMINUM ALLOY
- SURFACE COLOR METALLIC SILVER
- TERMINAL BLOCK PHENOL RESIN
- MOUNTING TYPE NIPPLE & THREAD



***ORDER SPECIFICATION**

■ ELEMENT

① CALIBRATION

- 1. N 2. K 3. E
- 4. J 5. T

② GRADE

- 1. CLASS 1 2. CLASS 2
- 3. CLASS 3 4. OTHER []

③ NUMBER OF ELEMENT WIRE

- 1. 2-WIRE [SINGLE] 2. 4-WIRE [DUAL]

④ TYPE OF HOT JUNCTION

- 1. GROUNDED TYPE
- 2. UNGROUNDED TYPE
- 3. EXPOSED TYPE

■ SHEATHED TUBE

⑤ MATERIAL

- 1. SUS316 2. SUS310 3. SUPPER ALLOY
- 4. INC600 5. OTHER []

⑥ OUT DIA (øD)

- 1. 0.25 2. 0.5 3. 1.0 4. 1.6
- 5. 2.3 6. 3.2 7. 4.8 8. 6.4
- 9. 8.0 10. OTHER []

⑦ LENGTH (L)

- _____ mm

■ MOUNTING

⑧ THREAD SIZE

- 1. PT 1/2 2. PT 3/4 3. PF 1/2
- 4. PF 3/4 5. OTHER []

⑨ THREAD MATERIAL

- 1.SUS304 2.SUS316 3.OTHER[]

⑩ NIPPLE OUT DIA (øDn)

- 1. 15 2. 17 3. 22 4. OTHER []

⑪ NIPPLE LENGTH (A)mm

- 1. 100 2. 150 3. OTHER []

■ SPECIAL REQUIREMENT

5					CUSTOMER	Design	Scale	N.S
4						Checked	Wt Est - Kg	
3						Approved	Date	
2						TITLE		
1						MODEL		
Item	Part Name	Material	Q'ty	Remark				

