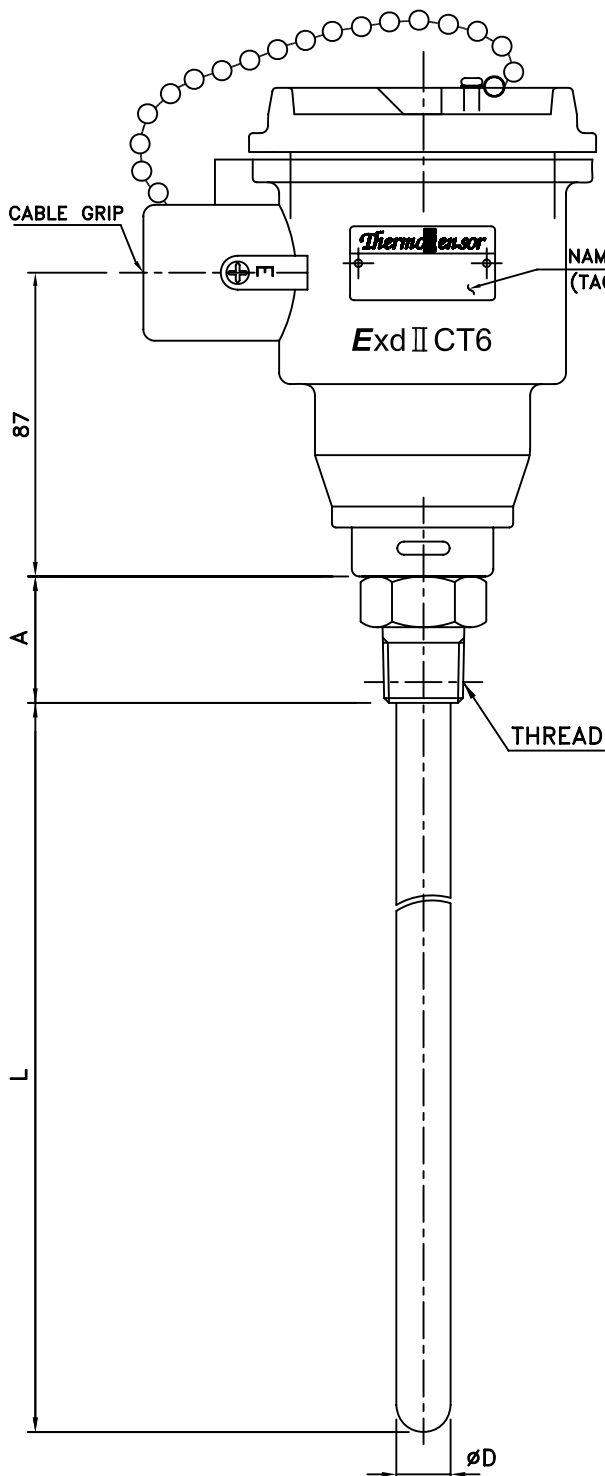


METAL SHEATHED THERMOCOUPLES

MODEL ST-914

***GENERAL SPECIFICATION**

- PROBE TYPE METAL SHEATHED TYPE
- TERMINAL HEAD EXPLOSION PROOF TYPE (ExdIICT6)
- MATERIAL ALUMINUM ALLOY
- SURFACE COLOR METALLIC SILVER
- TERMINAL BLOCK PHENOL RESIN
- MOUNTING TYPE FIXED SCREW



***ORDER SPECIFICATION**

ELEMENT

① CALIBRATION

- 1. N 2. K 3. E
- 4. J 5. T

② GRADE

- 1. CLASS 1 2. CLASS 2
- 3. CLASS 3 4. OTHER []

③ NUMBER OF ELEMENT WIRE

- 1. 2-WIRE [SINGLE] 2. 4-WIRE [DUAL]

④ TYPE OF HOT JUNCTION

- 1. GROUNDED TYPE
- 2. UNGROUNDED TYPE
- 3. EXPOSED TYPE

SHEATHED TUBE

⑤ MATERIAL

- 1. SUS316 2. SUS310 3. SUPPER ALLOY
- 4. INC600 5. OTHER []

⑥ OUT DIA (øD)

- 1. 0.25 2. 0.5 3. 1.0 4. 1.6
- 5. 2.3 6. 3.2 7. 4.8 8. 6.4
- 9. 8.0 10. OTHER []

⑦ LENGTH (L)

- _____ mm

MOUNTING

⑧ THREAD SIZE

- 1. PT 1/2 2. PT 3/4 3. PF 1/2
- 4. PF 3/4 5. OTHER []

⑨ THREAD MATERIAL

- 1. SUS304 2. SUS316 3. OTHER []

⑩ THREAD LENGTH (A)

- _____ mm

SPECIAL REQUIREMENT

5				
4				
3				
2				
1				
Item	Part Name	Material	Q'ty	Remark

CUSTOMER



Design	Scale	N.S
Checked	Wt Est - Kg	<input type="checkbox"/>
Approved	Date	
TITLE		
MODEL		