

METAL SHEATHED THERMOCOUPLES      MODEL ST-916

**\*GENERAL SPECIFICATION**

- PROBE TYPE      METAL SHEATHED TYPE
- TERMINAL HEAD EXPLOSION PROOF TYPE (ExdIICT6)
- MATERIAL      ALUMINUM ALLOY
- SURFACE COLOR METALLIC SILVER
- TERMINAL BLOCK PHENOL RESIN
- MOUNTING TYPE NIPPLE & FIXED FLANGE

**\*ORDER SPECIFICATION**

ELEMENT

**① CALIBRATION**

- 1. N       2. K       3. E
- 4. J       5. T

**② GRADE**

- 1. CLASS 1       2. CLASS 2
- 3. CLASS 3       4. OTHER [      ]

**③ NUMBER OF ELEMENT WIRE**

- 1. 2-WIRE [SINGLE]       2. 4-WIRE [DUAL]

**④ TYPE OF HOT JUNCTION**

- 1. GROUNDED TYPE
- 2. UNGROUNDED TYPE
- 3. EXPOSED TYPE

SHEATHED TUBE

**⑤ MATERIAL**

- 1. SUS316       2. SUS310       3. SUPPER ALLOY
- 4. INC600       5. OTHER [      ]

**⑥ OUT DIA (φD)**

- 1. 0.25       2. 0.5       3. 1.0       4. 1.6
- 5. 2.3       6. 3.2       7. 4.8       8. 6.4
- 9. 8.0       10. OTHER [      ]

**⑦ LENGTH (L)**

- \_\_\_\_\_ mm

MOUNTING

**⑧ FLANGE SIZE**

- \_\_\_\_\_

**⑨ FLANGE MATERIAL**

- 1. SUS304       2. SUS316       3. OTHER [      ]

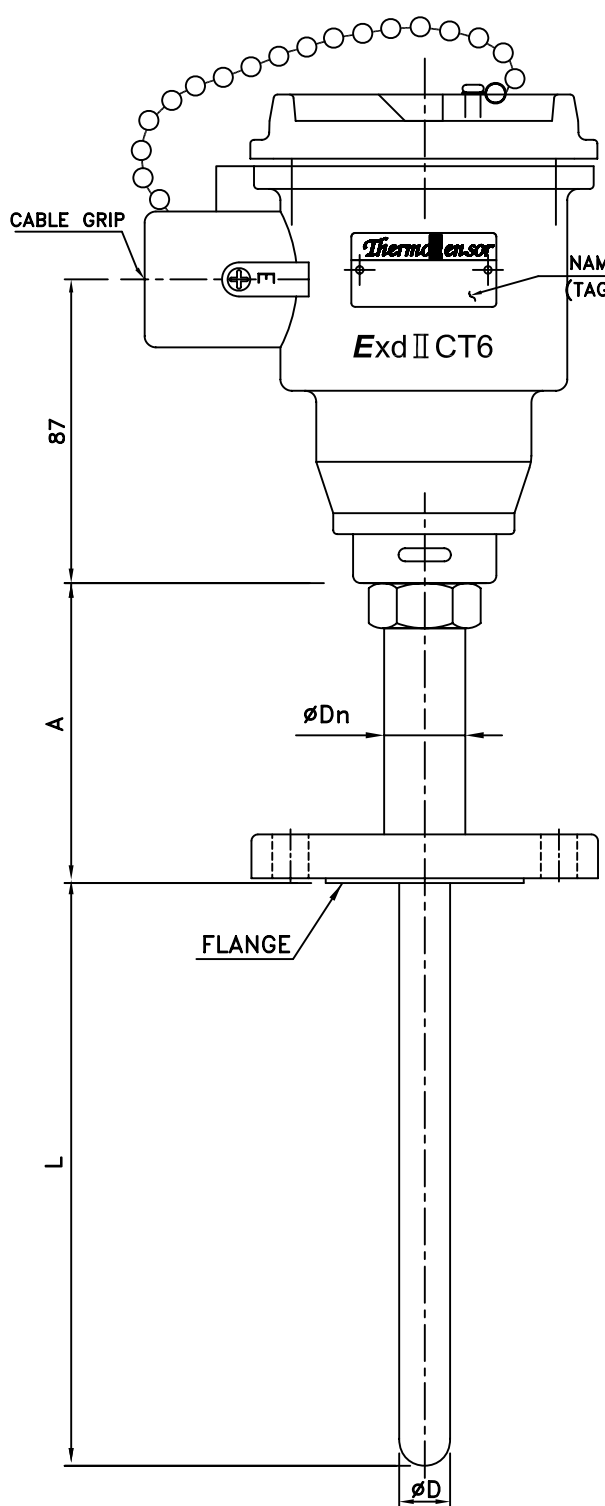
**⑩ NIPPLE OUT DIA (φDn)**

- 1. 15       2. 17       3. 22       4. OTHER [      ]

**⑪ NIPPLE LENGTH (A)mm**

- 1. 80       2. 100       3. OTHER [      ]

SPECIAL REQUIREMENT



5					CUSTOMER	Design	Scale	N.S
4						Checked	Wt Est - Kg	<input type="checkbox"/>
3				Approved		Date		
2				TITLE				
1				MODEL				
Item	Part Name	Material	Q'ty	Remark				