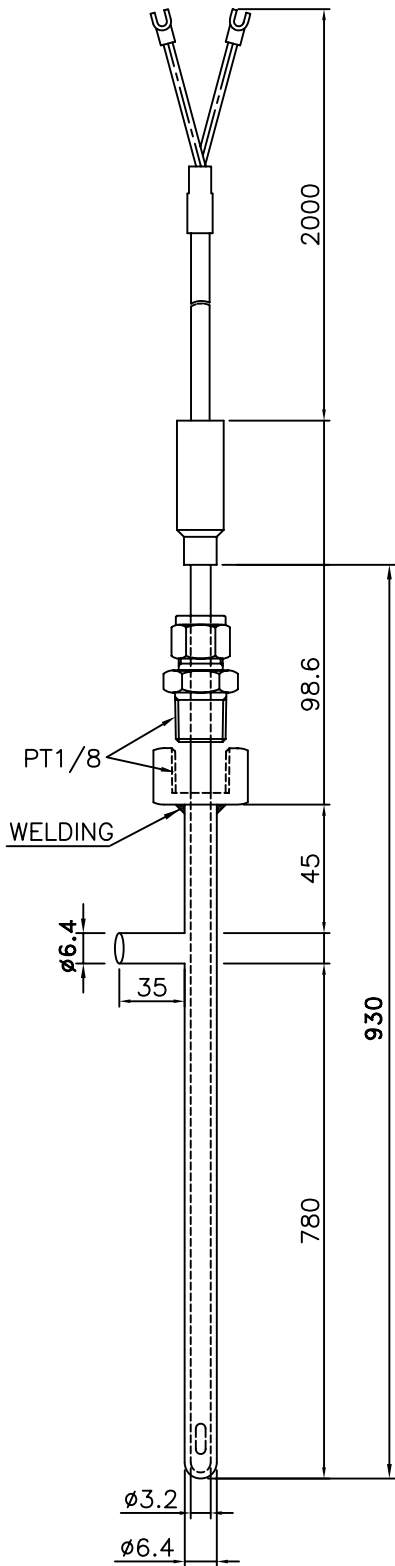


METAL SHEATHED THERMOCOUPLES

MODEL ST-KTU-780



***GENERAL SPECIFICATION**

- PROBE TYPE METAL SHEATHED TYPE
- TRANSITION SLEEVE WITH INSULATED LEAD WIRE
- MOUNTING TYPE COMPRESSION FITTING

***ORDER SPECIFICATION**

- ELEMENT
 - ① CALIBRATION
 - 1. N 2. K 3. E
 - 4. J 5. T
 - ② GRADE
 - 1. CLASS 1 2. CLASS 2
 - 3. CLASS 3 4. OTHER []
 - ③ NUMBER OF ELEMENT WIRE
 - 1. 2-WIRE [SINGLE] 2. 4-WIRE [DUAL]
 - ④ TYPE OF HOT JUNCTION
 - 1. GROUNDED TYPE 2. UNGROUNDED TYPE
 - 3. EXPOSED TYPE
 - SHEATHED TUBE
 - ⑤ MATERIAL
 - 1. SUS316 2. SUS310 3. SUPPER ALLOY
 - 4. INC600 5. OTHER []
 - ⑥ OUT DIA (φD)
 - 1. 0.25 2. 0.5 3. 1.0 4. 1.6
 - 5. 2.3 6. 3.2 7. 4.8 8. 6.4
 - 9. 8.0 10. OTHER []
 - ⑦ LENGTH (L)
 - 930 mm
 - SLEEVE
 - ⑧ OUT DIA (φDn)
 - φ 8
 - ⑨ LENGTH (A)
 - 45 mm
 - EXTENSION WIRE
 - ⑩ INSULATION
 - 1. SHIELD 2. PVC
 - 3. GLASS 4. OTHER []
 - ⑪ COVERD MATERIAL
 - 1. NONE 2. FLEXIBLE TUBE 3. OTHER []
 - ⑫ LENGTH (L1)
 - 2000 mm
 - MOUNTING
 - ⑬ THREAD SIZE
 - 1. PT1/2 2. PT3/4
 - 3. PF1/2 4. PF3/4 5. OTHER [PT1/8]
 - ⑭ COMPRESSION FITTING MATERIAL
 - 1. SUS304 2. SUS316 3. OTHER []
 - SPECIAL REQUIREMENT

5					CUSTOMER	Design	Scale	N.S
4						Checked	Wt Est - kg	
3				Approved		Date		
2						TITLE		
1						MODEL		
Item	Part Name	Material	Q'ty	Remark				